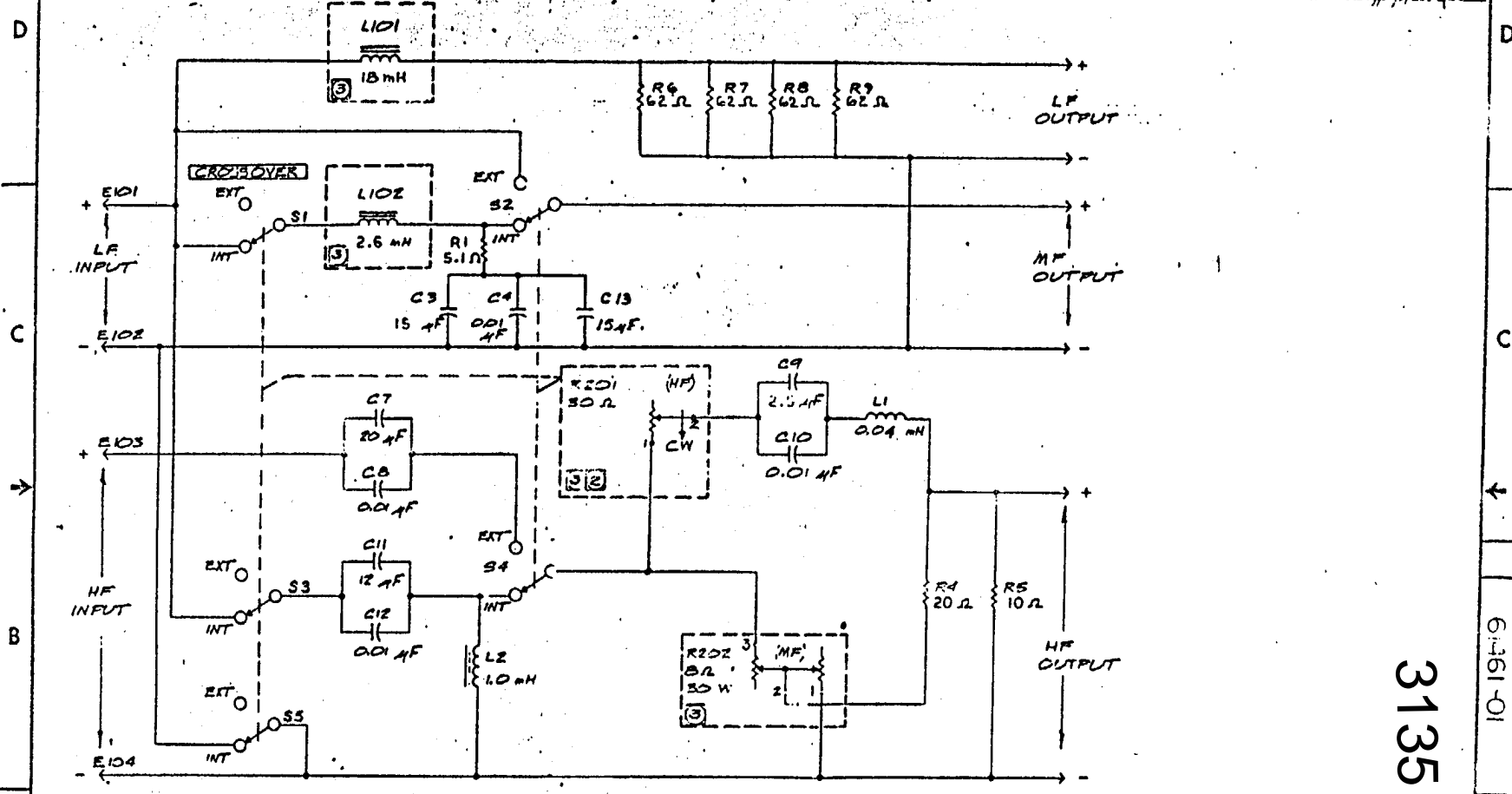


THESE DIMENSIONS AND SPECIFICATIONS ARE THE PROPERTY OF JAMES B. LANSING SOUND INC. THEY ARE ISSUED IN STRICT CONFIDENCE AND SHALL NOT BE REPRODUCED COPIES OR USED AS THE BASIS FOR MANUFACTURE OR SALE OF APPARATUS WITHOUT WRITTEN PERMISSION.

REVISIONS						
CHK	LTR	DESCRIPTION	DRFT	CHK	DATE	APPR
		SEE SHEET ONE	41	11/23/51	11/23/51	



SIMPLIFIED SCHEMATIC

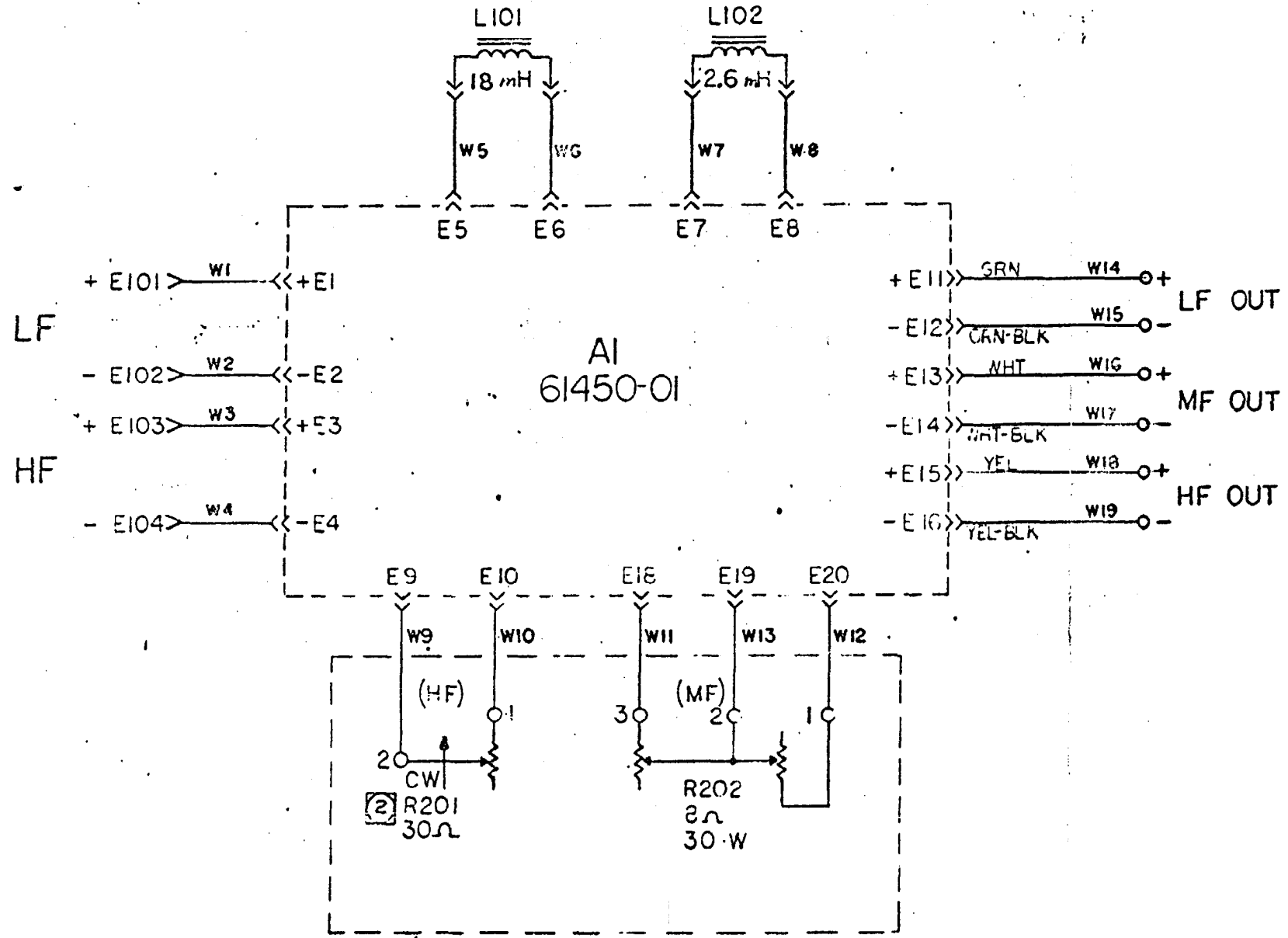
3135

61461-01

ITEM	PART NO.	DESCRIPTION	QTY	REMARKS
BILL OF MATERIAL				
<small>UNLESS OTHERWISE SPECIFIED DIMENSIONS ARE IN MILLIMETERS (INCHES) UNLESS OTHERWISE SPECIFIED. TOLERANCES UNLESS OTHERWISE SPECIFIED: 0.15 mm (0.006 in) ANGULAR 0.25 mm (0.010 in) 0.50 mm (0.020 in) 1.00 mm (0.040 in) 1.50 mm (0.060 in) 2.00 mm (0.080 in) 3.00 mm (0.120 in) 4.00 mm (0.160 in) 5.00 mm (0.200 in) 6.00 mm (0.240 in) 8.00 mm (0.315 in) 10.00 mm (0.390 in) 12.00 mm (0.475 in) 15.00 mm (0.590 in) 20.00 mm (0.787 in) 25.00 mm (0.984 in) 30.00 mm (1.181 in) 40.00 mm (1.575 in) 50.00 mm (1.968 in) 60.00 mm (2.362 in) 80.00 mm (3.150 in) 100.00 mm (3.937 in) 120.00 mm (4.724 in) 150.00 mm (5.906 in) 200.00 mm (7.874 in) 250.00 mm (9.843 in) 300.00 mm (11.811 in) 400.00 mm (15.748 in) 500.00 mm (19.685 in) 600.00 mm (23.622 in) 800.00 mm (31.500 in) 1000.00 mm (39.370 in) 1200.00 mm (47.244 in) 1500.00 mm (59.063 in) 2000.00 mm (78.740 in) 2500.00 mm (98.425 in) 3000.00 mm (118.110 in) 4000.00 mm (157.480 in) 5000.00 mm (196.850 in) 6000.00 mm (236.220 in) 8000.00 mm (315.000 in) 10000.00 mm (393.700 in) 12000.00 mm (472.440 in) 15000.00 mm (590.630 in) 20000.00 mm (787.400 in) 25000.00 mm (984.250 in) 30000.00 mm (1181.100 in) 40000.00 mm (1574.800 in) 50000.00 mm (1968.500 in) 60000.00 mm (2362.200 in) 80000.00 mm (3150.000 in) 100000.00 mm (3937.000 in) 120000.00 mm (4724.400 in) 150000.00 mm (5906.300 in) 200000.00 mm (7874.000 in) 250000.00 mm (9842.500 in) 300000.00 mm (11811.000 in) 400000.00 mm (15748.000 in) 500000.00 mm (19685.000 in) 600000.00 mm (23622.000 in) 800000.00 mm (31500.000 in) 1000000.00 mm (39370.000 in) 1200000.00 mm (47244.000 in) 1500000.00 mm (59063.000 in) 2000000.00 mm (78740.000 in) 2500000.00 mm (98425.000 in) 3000000.00 mm (118110.000 in) 4000000.00 mm (157480.000 in) 5000000.00 mm (196850.000 in) 6000000.00 mm (236220.000 in) 8000000.00 mm (315000.000 in) 10000000.00 mm (393700.000 in) 12000000.00 mm (472440.000 in) 15000000.00 mm (590630.000 in) 20000000.00 mm (787400.000 in) 25000000.00 mm (984250.000 in) 30000000.00 mm (1181100.000 in) 40000000.00 mm (1574800.000 in) 50000000.00 mm (1968500.000 in) 60000000.00 mm (2362200.000 in) 80000000.00 mm (3150000.000 in) 100000000.00 mm (3937000.000 in) 120000000.00 mm (4724400.000 in) 150000000.00 mm (5906300.000 in) 200000000.00 mm (7874000.000 in) 250000000.00 mm (9842500.000 in) 300000000.00 mm (11811000.000 in) 400000000.00 mm (15748000.000 in) 500000000.00 mm (19685000.000 in) 600000000.00 mm (23622000.000 in) 800000000.00 mm (31500000.000 in) 1000000000.00 mm (39370000.000 in) 1200000000.00 mm (47244000.000 in) 1500000000.00 mm (59063000.000 in) 2000000000.00 mm (78740000.000 in) 2500000000.00 mm (98425000.000 in) 3000000000.00 mm (118110000.000 in) 4000000000.00 mm (157480000.000 in) 5000000000.00 mm (196850000.000 in) 6000000000.00 mm (236220000.000 in) 8000000000.00 mm (315000000.000 in) 10000000000.00 mm (393700000.000 in) 12000000000.00 mm (472440000.000 in) 15000000000.00 mm (590630000.000 in) 20000000000.00 mm (787400000.000 in) 25000000000.00 mm (984250000.000 in) 30000000000.00 mm (1181100000.000 in) 40000000000.00 mm (1574800000.000 in) 50000000000.00 mm (1968500000.000 in) 60000000000.00 mm (2362200000.000 in) 80000000000.00 mm (3150000000.000 in) 100000000000.00 mm (3937000000.000 in) 120000000000.00 mm (4724400000.000 in) 150000000000.00 mm (5906300000.000 in) 200000000000.00 mm (7874000000.000 in) 250000000000.00 mm (9842500000.000 in) 300000000000.00 mm (11811000000.000 in) 400000000000.00 mm (15748000000.000 in) 500000000000.00 mm (19685000000.000 in) 600000000000.00 mm (23622000000.000 in) 800000000000.00 mm (31500000000.000 in) 1000000000000.00 mm (39370000000.000 in) 1200000000000.00 mm (47244000000.000 in) 1500000000000.00 mm (59063000000.000 in) 2000000000000.00 mm (78740000000.000 in) 2500000000000.00 mm (98425000000.000 in) 3000000000000.00 mm (118110000000.000 in) 4000000000000.00 mm (157480000000.000 in) 5000000000000.00 mm (196850000000.000 in) 6000000000000.00 mm (236220000000.000 in) 8000000000000.00 mm (315000000000.000 in) 10000000000000.00 mm (393700000000.000 in) 12000000000000.00 mm (472440000000.000 in) 15000000000000.00 mm (590630000000.000 in) 20000000000000.00 mm (787400000000.000 in) 25000000000000.00 mm (984250000000.000 in) 30000000000000.00 mm (1181100000000.000 in) 40000000000000.00 mm (1574800000000.000 in) 50000000000000.00 mm (1968500000000.000 in) 60000000000000.00 mm (2362200000000.000 in) 80000000000000.00 mm (3150000000000.000 in) 100000000000000.00 mm (3937000000000.000 in) 120000000000000.00 mm (4724400000000.000 in) 150000000000000.00 mm (5906300000000.000 in) 200000000000000.00 mm (7874000000000.000 in) 250000000000000.00 mm (9842500000000.000 in) 300000000000000.00 mm (11811000000000.000 in) 400000000000000.00 mm (15748000000000.000 in) 500000000000000.00 mm (19685000000000.000 in) 600000000000000.00 mm (23622000000000.000 in) 800000000000000.00 mm (31500000000000.000 in) 1000000000000000.00 mm (39370000000000.000 in) 1200000000000000.00 mm (47244000000000.000 in) 1500000000000000.00 mm (59063000000000.000 in) 2000000000000000.00 mm (78740000000000.000 in) 2500000000000000.00 mm (98425000000000.000 in) 3000000000000000.00 mm (118110000000000.000 in) 4000000000000000.00 mm (157480000000000.000 in) 5000000000000000.00 mm (196850000000000.000 in) 6000000000000000.00 mm (236220000000000.000 in) 8000000000000000.00 mm (315000000000000.000 in) 10000000000000000.00 mm (393700000000000.000 in) 12000000000000000.00 mm (472440000000000.000 in) 15000000000000000.00 mm (590630000000000.000 in) 20000000000000000.00 mm (787400000000000.000 in) 25000000000000000.00 mm (984250000000000.000 in) 30000000000000000.00 mm (1181100000000000.000 in) 40000000000000000.00 mm (1574800000000000.000 in) 50000000000000000.00 mm (1968500000000000.000 in) 60000000000000000.00 mm (2362200000000000.000 in) 80000000000000000.00 mm (3150000000000000.000 in) 100000000000000000.00 mm (3937000000000000.000 in) 120000000000000000.00 mm (4724400000000000.000 in) 150000000000000000.00 mm (5906300000000000.000 in) 200000000000000000.00 mm (7874000000000000.000 in) 250000000000000000.00 mm (9842500000000000.000 in) 300000000000000000.00 mm (11811000000000000.000 in) 400000000000000000.00 mm (15748000000000000.000 in) 500000000000000000.00 mm (19685000000000000.000 in) 600000000000000000.00 mm (23622000000000000.000 in) 800000000000000000.00 mm (31500000000000000.000 in) 1000000000000000000.00 mm (39370000000000000.000 in) 1200000000000000000.00 mm (47244000000000000.000 in) 1500000000000000000.00 mm (59063000000000000.000 in) 2000000000000000000.00 mm (78740000000000000.000 in) 2500000000000000000.00 mm (98425000000000000.000 in) 3000000000000000000.00 mm (118110000000000000.000 in) 4000000000000000000.00 mm (157480000000000000.000 in) 5000000000000000000.00 mm (196850000000000000.000 in) 6000000000000000000.00 mm (236220000000000000.000 in) 8000000000000000000.00 mm (315000000000000000.000 in) 10000000000000000000.00 mm (393700000000000000.000 in) 12000000000000000000.00 mm (472440000000000000.000 in) 15000000000000000000.00 mm (590630000000000000.000 in) 20000000000000000000.00 mm (787400000000000000.000 in) 25000000000000000000.00 mm (984250000000000000.000 in) 30000000000000000000.00 mm (1181100000000000000.000 in) 40000000000000000000.00 mm (1574800000000000000.000 in) 50000000000000000000.00 mm (1968500000000000000.000 in) 60000000000000000000.00 mm (2362200000000000000.000 in) 80000000000000000000.00 mm (3150000000000000000.000 in) 100000000000000000000.00 mm (3937000000000000000.000 in) 120000000000000000000.00 mm (4724400000000000000.000 in) 150000000000000000000.00 mm (5906300000000000000.000 in) 200000000000000000000.00 mm (7874000000000000000.000 in) 250000000000000000000.00 mm (9842500000000000000.000 in) 300000000000000000000.00 mm (11811000000000000000.000 in) 400000000000000000000.00 mm (15748000000000000000.000 in) 500000000000000000000.00 mm (19685000000000000000.000 in) 600000000000000000000.00 mm (23622000000000000000.000 in) 800000000000000000000.00 mm (31500000000000000000.000 in) 1000000000000000000000.00 mm (39370000000000000000.000 in) 1200000000000000000000.00 mm (47244000000000000000.000 in) 1500000000000000000000.00 mm (59063000000000000000.000 in) 2000000000000000000000.00 mm (78740000000000000000.000 in) 2500000000000000000000.00 mm (98425000000000000000.000 in) 3000000000000000000000.00 mm (118110000000000000000.000 in) 4000000000000000000000.00 mm (157480000000000000000.000 in) 5000000000000000000000.00 mm (196850000000000000000.000 in) 6000000000000000000000.00 mm (236220000000000000000.000 in) 8000000000000000000000.00 mm (315000000000000000000.000 in) 10000000000000000000000.00 mm (393700000000000000000.000 in) 12000000000000000000000.00 mm (472440000000000000000.000 in) 15000000000000000000000.00 mm (590630000000000000000.000 in) 20000000000000000000000.00 mm (787400000000000000000.000 in) 25000000000000000000000.00 mm (984250000000000000000.000 in) 30000000000000000000000.00 mm (1181100000000000000000.000 in) 40000000000000000000000.00 mm (1574800000000000000000.000 in) 50000000000000000000000.00 mm (1968500000000000000000.000 in) 60000000000000000000000.00 mm (2362200000000000000000.000 in) 80000000000000000000000.00 mm (3150000000000000000000.000 in) 100000000000000000000000.00 mm (3937000000000000000000.000 in) 120000000000000000000000.00 mm (4724400000000000000000.000 in) 150000000000000000000000.00 mm (5906300000000000000000.000 in) 200000000000000000000000.00 mm (7874000000000000000000.000 in) 250000000000000000000000.00 mm (9842500000000000000000.000 in) 300000000000000000000000.00 mm (11811000000000000000000.000 in) 400000000000000000000000.00 mm (15748000000000000000000.000 in) 500000000000000000000000.00 mm (19685000000000000000000.000 in) 600000000000000000000000.00 mm (23622000000000000000000.000 in) 800000000000000000000000.00 mm (31500000000000000000000.000 in) 1000000000000000000000000.00 mm (39370000000000000000000.000 in) 1200000000000000000000000.00 mm (47244000000000000000000.000 in) 1500000000000000000000000.00 mm (59063000000000000000000.000 in) 2000000000000000000000000.00 mm (78740000000000000000000.000 in) 2500000000000000000000000.00 mm (98425000000000000000000.000 in) 3000000000000000000000000.00 mm (118110000000000000000000.000 in) 4000000000000000000000000.00 mm (157480000000000000000000.000 in) 5000000000000000000000000.00 mm (196850000000000000000000.000 in) 6000000000000000000000000.00 mm (236220000000000000000000.000 in) 8000000000000000000000000.00 mm (315000000000000000000000.000 in) 10000000000000000000000000.00 mm (393700000000000000000000.000 in) 12000000000000000000000000.00 mm (472440000000000000000000.000 in) 15000000000000000000000000.00 mm (590630000000000000000000.000 in) 20000000000000000000000000.00 mm (787400000000000000000000.000 in) 25000000000000000000000000.00 mm (984250000000000000000000.000 in) 30000000000000000000000000.00 mm (1181100000000000000000000.000 in) 40000000000000000000000000.00 mm (1574800000000000000000000.000 in) 50000000000000000000000000.00 mm (1968500000000000000000000.000 in) 60000000000000000000000000.00 mm (2362200000000000000000000.000 in) 80000000000000000000000000.00 mm (3150000000000000000000000.000 in) 100000000000000000000000000.00 mm (3937000000000000000000000.000 in) 120000000000000000000000000.00 mm (4724400000000000000000000.000 in) 150000000000000000000000000.00 mm (5906300000000000000000000.000 in) 200000000000000000000000000.00 mm (7874000000000000000000000.000 in) 250000000000000000000000000.00 mm (9842500000000000000000000.000 in) 300000000000000000000000000.00 mm (11811000000000000000000000.000 in) 400000000000000000000000000.00 mm (15748000000000000000000000.000 in) 500000000000000000000000000.00 mm (19685000000000000000000000.000 in) 600000000000000000000000000.00 mm (23622000000000000000000000.000 in) 800000000000000000000000000.00 mm (31500000000000000000000000.000 in) 1000000000000000000000000000.00 mm (39370000000000000000000000.000 in) 1200000000000000000000000000.00 mm (47244000000000000000000000.000 in) 1500000000000000000000000000.00 mm (59063000000000000000000000.000 in) 2000000000000000000000000000.00 mm (78740000000000000000000000.000 in) 2500000000000000000000000000.00 mm (98425000000000000000000000.000 in) 3000000000000000000000000000.00 mm (118110000000000000000000000.000 in) 4000000000000000000000000000.00 mm (157480000000000000000000000.000 in) 5000000000000000000000000000.00 mm (196850000000000000000000000.000 in) 6000000000000000000000000000.00 mm (236220000000000000000000000.000 in) 8000000000000000000000000000.00 mm (315000000000000000000000000.000 in) 10000000000000000000000000000.00 mm (393700000000000000000000000.000 in) 12000000000000000000000000000.00 mm (472440000000000000000000000.000 in) 15000000000000000000000000000.00 mm (590630000000000000000000000.000 in) 20000000000000000000000000000.00 mm (787400000000000000000000000.000 in) 25000000000000000000000000000.00 mm (984250000000000000000000000.000 in) 30000000000000000000000000000.00 mm (1181100000000000000000000000.000 in) 4000000000000</small>				

THESE DRAWINGS AND SPECIFICATIONS ARE THE PROPERTY OF JAMES B. LANSING SOUND INC. THEY ARE ISSUED IN STRICT CONFIDENCE AND SHALL NOT BE REPRODUCED, COPIED, OR USED AS THE BASIS FOR MANUFACTURE OR SALE OF APPARATUS WITHOUT WRITTEN PERMISSION.

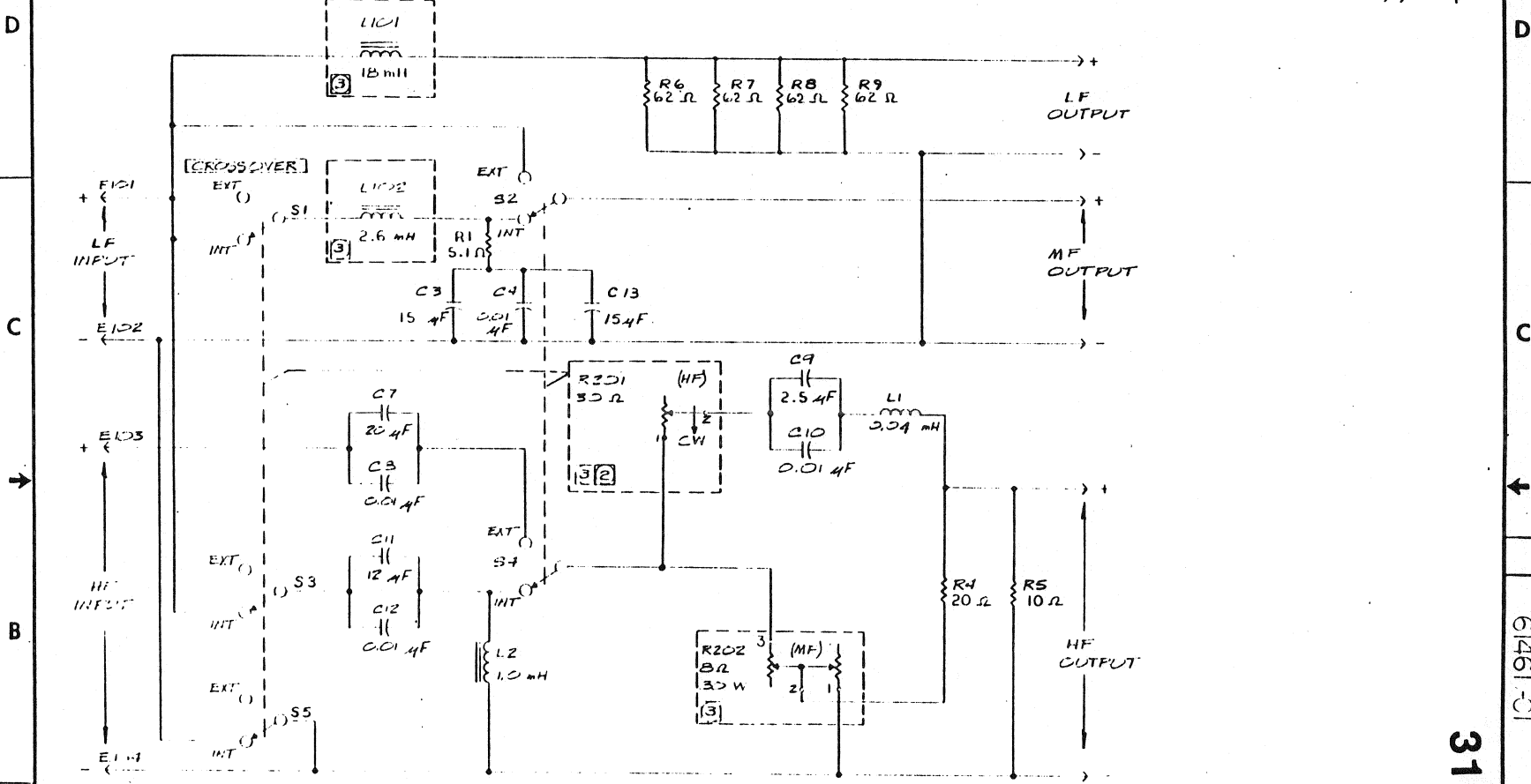
CHG	LTR	DESCRIPTION
X-0183	A	MFB PROTOTYPE R
132	B	REV CIRCUIT PER PD
195	C	REV CIRCUIT PER PD
N-0183	D	REL FOR PRODUCT
216		COMPONENT VALUE





THESE DRAWINGS AND SPECIFICATIONS ARE THE PROPERTY OF JAMES B. LANSING SOUND, INC. THEY ARE ISSUED IN STRICT CONFIDENCE AND SHALL NOT BE REPRODUCED, COPIED, OR USED AS THE BASIS FOR MANUFACTURE OR SALE OF APPARATUS WITHOUT WRITTEN PERMISSION.

REVISIONS						
CHG	LTR	DESCRIPTION	DRFT	CHK	DATE	APPR
		SEE SHEET ONE	CAF	AS	1/23/81	WPC/CAF



SIMPLIFIED SCHEMATIC

NOTES:

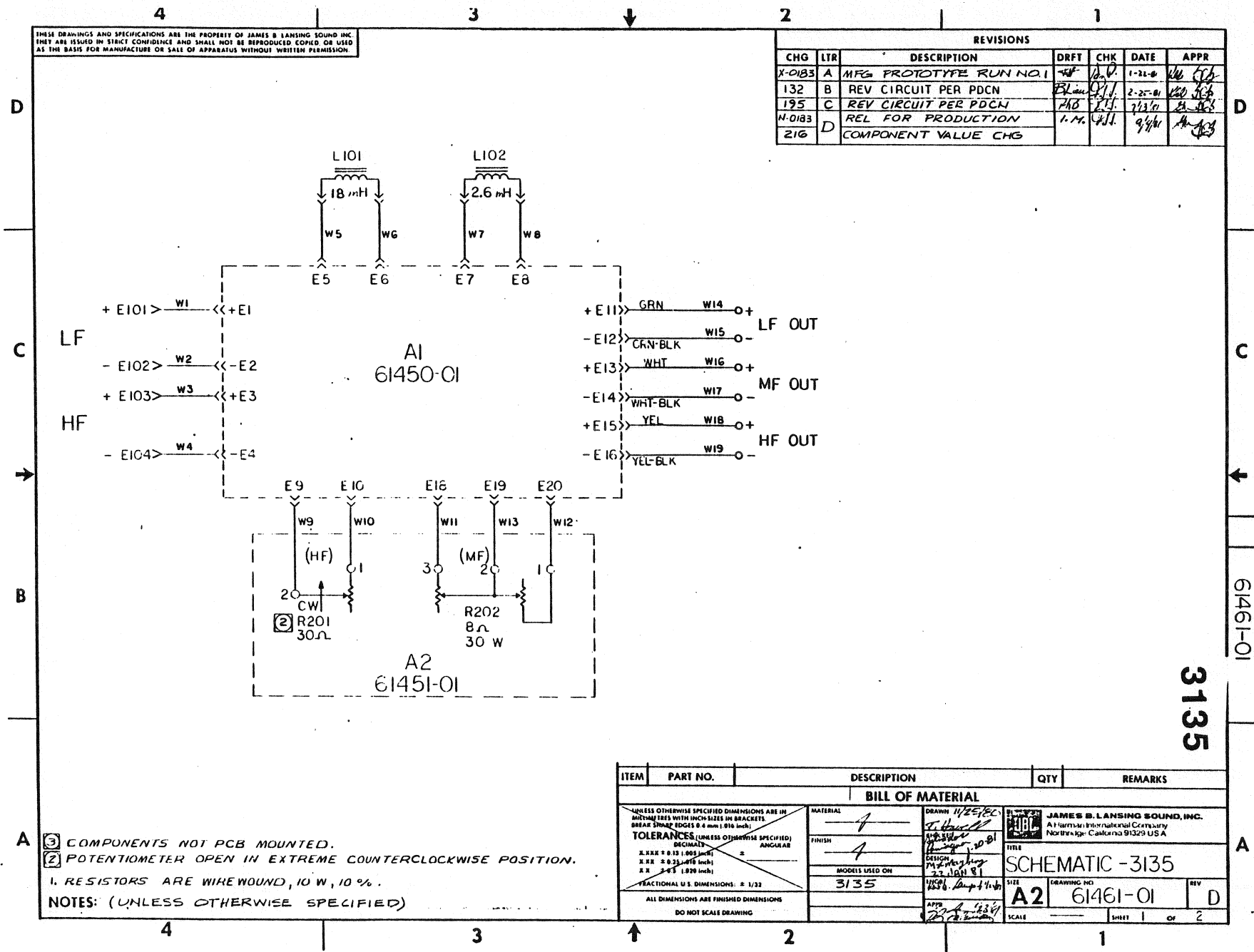
3135

61461-01

ITEM	PART NO.	DESCRIPTION	QTY	REMARKS
<b>BILL OF MATERIAL</b>				
UNLESS OTHERWISE SPECIFIED DIMENSIONS ARE IN MILLIMETRES WITH INCH SIZES IN BRACKETS BRING SHARP EDGES TO 0.25mm (0.010 inch)		MATERIAL	DRAWN 1/25/81	<b>JAMES B. LANSING SOUND, INC.</b> A Furman Company 10000 W. 10th Ave., Suite 100 Fort Peck, Colorado 81424
TOLERANCES (UNLESS OTHERWISE SPECIFIED) DECIMALS ANGULAR		FINISH	DESIGNED BY M. J. HAN 81 DATE 1/23/81	
FRACTIONAL U.S. DIMENSIONS 1/16, 1/32		MODELS USED ON	3135	TITLE <b>SCHEMATIC-3135</b> SIZE <b>A2</b> (DRAWING NO) <b>61461-01</b>
ALL DIMENSIONS ARE FINISHED DIMENSIONS DO NOT SCALE DRAWING		APP'D		REV <b>D</b> SCALE SHEET 2 OF 2

THESE DRAWINGS AND SPECIFICATIONS ARE THE PROPERTY OF JAMES B. LANSING SOUND INC. THEY ARE ISSUED IN STRICT CONFIDENCE AND SHALL NOT BE REPRODUCED, COPIED OR USED AS THE BASIS FOR MANUFACTURE OR SALE OF APPARATUS WITHOUT WRITTEN PERMISSION.

REVISIONS						
CHG	LTR	DESCRIPTION	DRFT	CHK	DATE	APPR
X-0183	A	MFG PROTOTYPE RUN NO.1	W.P.	J.P.	1-21-61	W.P.
132	B	REV CIRCUIT PER PDCN	Blair	J.P.	2-25-61	W.P.
195	C	REV CIRCUIT PER PDCN	PHB	J.P.	7/13/61	W.P.
N-0183	D	REL FOR PRODUCTION	J.M.	J.P.	9/4/61	W.P.
216		COMPONENT VALUE CHG				



3135

61461-01

- A ③ COMPONENTS NOT PCB MOUNTED.  
 ② POTENTIOMETER OPEN IN EXTREME COUNTERCLOCKWISE POSITION.  
 1. RESISTORS ARE WIREWOUND, 10 W, 10 %.
- NOTES: (UNLESS OTHERWISE SPECIFIED)

ITEM	PART NO.	DESCRIPTION	QTY	REMARKS
<b>BILL OF MATERIAL</b>				
UNLESS OTHERWISE SPECIFIED DIMENSIONS ARE IN MILLIMETERS WITH INCH SIZES IN BRACKETS. BREAK SHARP EDGES (Ø & MIN) (Ø & INCH).		MATERIAL	FINISH	MODELS USED ON
TOLERANCES (UNLESS OTHERWISE SPECIFIED): DECIMALS: ± .005 (0.001) to ± .015 (0.001) ANGULAR: ± .005 (0.001) to ± .015 (0.001) FRACTIONAL U.S. DIMENSIONS: ± 1/32		1	1	3135
ALL DIMENSIONS ARE FINISHED DIMENSIONS. DO NOT SCALE DRAWING.		DRAWN: J. H. HALL	DESIGN: J. H. HALL	APPR: J. H. HALL
		JAMES B. LANSING SOUND, INC. A Harmon International Company Northridge, California 91329 USA		TITLE: SCHEMATIC - 3135
		SIZE: A2		DRAWING NO: 61461-01
		SCALE: _____		REV: D
		SHEET: 1		OF: 2

ITEM	LEAD DESCRIPTION					DESTINATION		REMARKS
	WIRE P/N	SLEEVE P/N	CL SIZE	COLOR	LENGTH mm (.A)	FROM	TO	
1	61452			RED		E101	A1-E1	+ INPUT LF (W1)
2	61453			BLK/WHT		E102	A1-E2	- INPUT LF (W2)
3	61452			RED		E103	A1-E3	+ INPUT HF (W3)
4	61453			BLK/WHT		E104	A1-E4	- INPUT HF (W4)
5	61454			BLK		L101	A1-E5	(W5)
6	61455			BLK		L101	A1-E6	(W6)
7	61456			BLK		L102	A1-E7	(W7)
8	61456			BLK		L102	A1-E8	(W8)
9	61457			BLK		A2-R201-2	A1-E9	HF POT (W9)
10	61458			ORN		A2-R201-1	A1-E10	HF POT (W10)
11								
12	61459			BLK/WHT		A2-R202-3	A1-E18	L-PAD (W11)
13	61464			RED/WHT		A2-R202-2	A1-E19	L-PAD (W13)
14	61465			BRN		A2-R202-1	A1-E20	L-PAD (W12)
15								
16	61466			WHT		A1-E13	MF (+)	(W16)
17	61467			WHT/BLK		A1-E14	MF (-)	(W17)
18	61472			GRN		A1-E11	LF (+)	(W14)
19	61473			GRN/BLK		A1-E12	LF (-)	(W15)
20	61485			YEL		A1-E15	HF (+)	(W18)
21	61486			YEL-BLK		A1-E16	HF (-)	(W19)

REV	DATE	APP
X-0183 A	1-22-81	JAB
132 B	2-20-81	JAB
N-0183 C	9/9/81	JAB

A

WIRE COLOR CODE:  
 BLK = BLACK    GRN = GREEN  
 WHT = WHITE    GRA = GRAY  
 BLU = BLUE    ORN = ORANGE  
 YEL = YELLOW    VIO = VIOLET

KEY:  
 CL = COMPONENT LEAD  
 LF = LOW FREQUENCY OUTPUT  
 MF = MID FREQUENCY OUTPUT  
 HF = HIGH FREQUENCY OUTPUT

NOTES: (UNLESS OTHERWISE SPECIFIED)

ITEM	PART NO	DESCRIPTION	QTY	REMARKS
BILL OF MATERIAL				
TECHNICALS				
JAMES W. LANSING WIRELINE, INC.				
WIRE LIST-3135				
A2		61461-02		C

61461-02

3135

4

3

2

1

4

3

2

1